

DIMM

INSTALLATION GUIDE

Preparation

For safe operation, see "Safety Information", *Setup Guide*.

CAUTION:

- Do not touch the inside of the controller board compartment. It may cause a machine malfunction or a burn.

Important

- Before touching the DIMM, touch something metal to discharge any static electricity. Static electricity can damage the DIMM.

Installing the DIMM

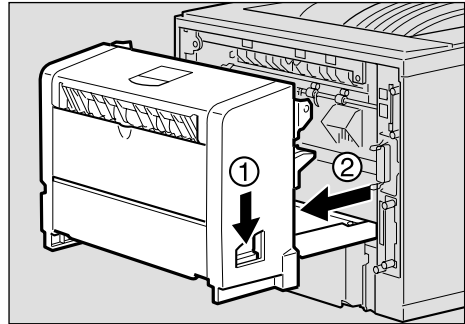
- Be sure to check the following points:

- The power switch is turned off.
- The interface cable is unplugged from the printer.

Note

- If the Duplex Unit is not attached, proceed to step 3.

- If the Duplex Unit is attached, push down the release button on the right side (1) and pull out the Duplex Unit until it stops (2).

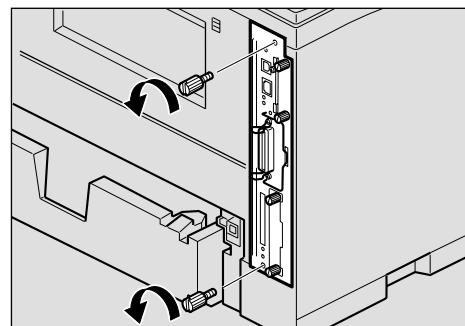


ZKGX320E

- Remove the two screws using a coin.

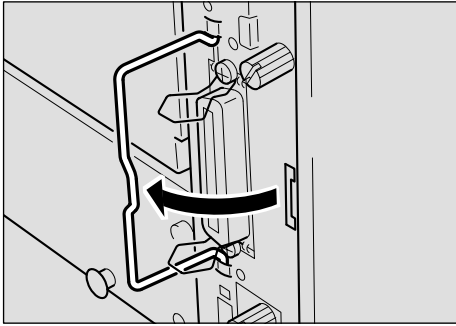
Note

- Use a coin or similar object if the screws do not turn easily.
- The removed screws are required in step 4.

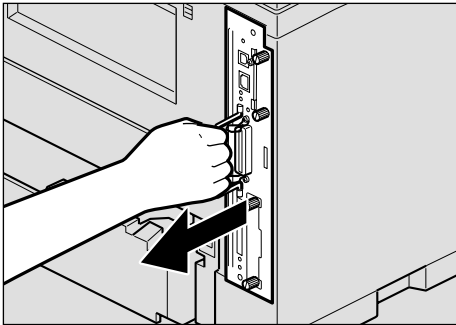


ZKGX280E

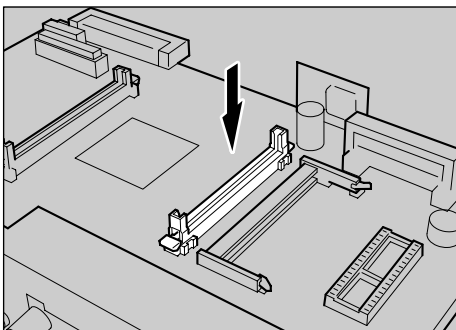
- 4** Pull out the handle of the controller board.



- 5** Pull the handle and slide the controller board out slowly.

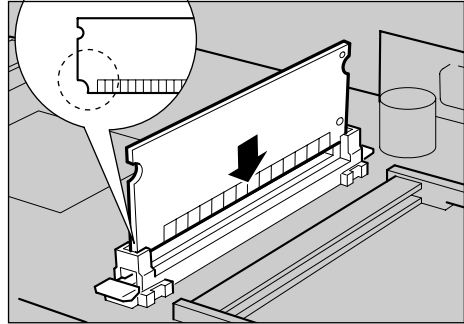


- 6** Place the controller board on a flat surface.

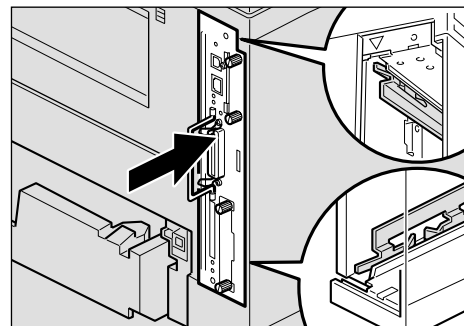


- 7** The DIMM is installed in the slot shown in the illustration below.

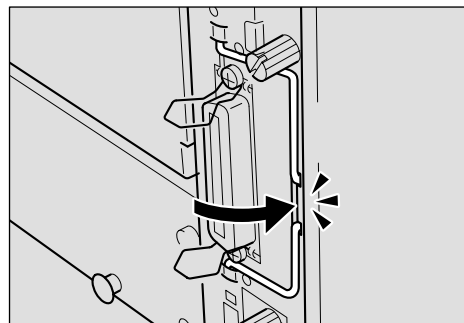
- 8** Insert the DIMM into the slot, and push it down until it clicks. If the DIMM is not set in the correct way, it does not click.



- 9** Align the controller board to the top and bottom rail using the "▼" mark, and then slide it into the printer slowly until it stops.



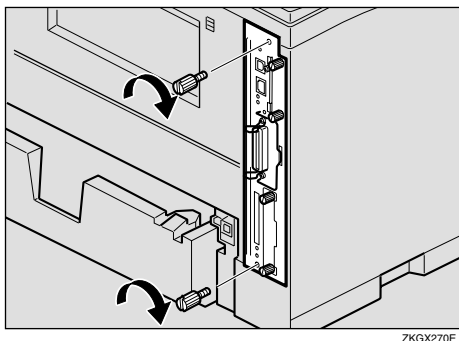
- 10** Push the handle of the controller board until it clicks.



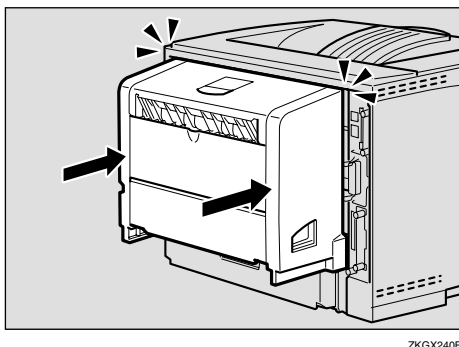
- 11** Fasten the controller board to the printer with the two screws.

 **Note**

- Use a coin or similar object if the screws do not turn easily.
- If the Duplex Unit is not attached, go to step 13.



- 12** While aligning the power cord to the left side groove of the Duplex Unit, slide the Duplex Unit in until it is connected to the printer.



- 13** Attach the interface cable, and then plug in the power cord.

- 14** Turn on the power.

 **Note**

- After finishing installation, print the configuration page from the "List/Test Print Menu" to confirm that the DIMM is installed properly. See "List/Test Print Menu", *Printer Reference*, on the CD-ROM labeled "Operating Instructions".